

Edition : 1.0  
Date: (03/26)

## Instruction Manual

# 6 Drawer INDUSTRIAL TOOLING CABINET TC-800

Order Code: (T767)

## BEFORE ASSEMBLING

Please read this instruction manual before assembly.



### **CAUTION**

Before assembly please pay attention to the following points in priority;

**Confirmation of components:** Before assembling, please confirm all parts arrived and are in good order.

**Site for assembly:** Please assemble it on the soft floor such as smooth carpet and flannel blanket. When you assemble on wooden floor, please put thin towels on the floor.

**Points for attention when assembling:** Please wear gloves to ensure that it can be assembled safely, and use two persons to help in the assembly process.

**Matters needing attention for operation:**

- Do not use for in proper use.
- Do not use it on inclined surface or uneven places.
- Do not use it when screws and fasteners are loosened.

### **Maintenance**

Keep drawer runners and rollers clean and free of debris.

Apply a dry lubricant regularly to ensure smooth operation and maximise service life.

Do not use oil-based lubricants, as they may attract dust and reduce performance.

### **Load Capacity & Usage**

Maximum load per drawer: 100kg

Maximum cabinet load: 600kg

Do not exceed rated capacities, as this may:

Damage drawer runners

Compromise safety

Void warranty

### **Safety Precautions**

Do not open multiple drawers at once.

Do not climb, stand, or sit on the cabinet or drawers.

Always distribute weight evenly within drawers.

Keep heavier items in lower drawers to maintain stability.

Ensure drawers are fully closed and key locked before moving the cabinet.

If fitted under a workbench, ensure adequate clearance for full drawer operation.

### **Optional Top Surface Use**

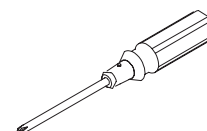
If using the optional backing panel and rubber mat:

Use it to safely rest tools and components.

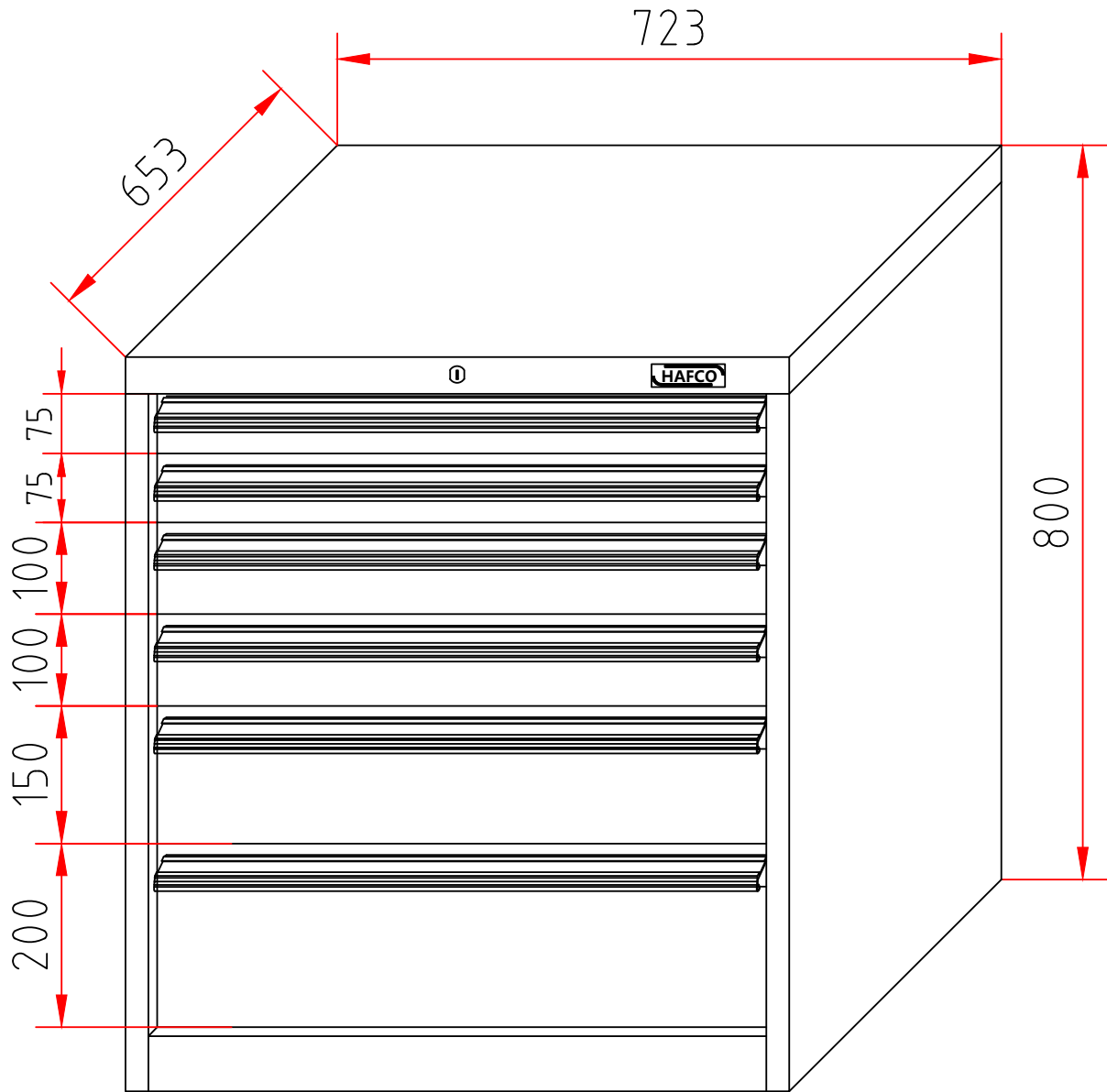
Avoid overloading the top surface beyond recommended limits.

## TOOLS REQUIRED FOR ASSEMBLY

- Phillips Head Screwdriver



### PARTS LIST



Description	Qty
Cabinet	1
75mm Drawer with Assorted Buckets	1
75mm Drawer with Dividers	1
100mm Drawer with Dividers	2
150mm Drawer with Dividers	1
200mm Drawer with Dividers	1

## Operating Instructions & Safety Guidelines

### General Operation

- When the tooling cabinet is unlocked, only one drawer can be opened at a time.
- This safety feature prevents the cabinet from tipping forward under load.
- Always ensure the cabinet is placed on a level and stable surface before use.

### Drawer Removal

- 1 Fully extend the drawer.
- 2 Tilt the front of the drawer upward.
- 3 Lift the drawer up and out over the rollers.

When reinstalling, align the drawer with the rails and gently slide it back into position.

### Drawer Safety Lock System

- Each drawer is fitted with a mechanical safety lock latch connected to the drawer handle.
- The lock latch mechanism is located on the left-hand side of each drawer.
- When the drawer is closed, the latch automatically drops over a bracket mounted on the inside left wall of the cabinet, locking the drawer in place until it is released using the front handle.
- This system ensures that only one drawer can be opened at a time, improving safety and preventing the cabinet from tipping.

### Cabinet Locking System

The cabinet features a single key locking system for secure storage.

Always lock the cabinet when not in use to:

- Prevent unauthorised access
- Avoid accidental drawer opening

#### **Rear Locking Mechanism (Tip Safety)**

Tilting the cabinet while it is unlocked may engage the rear locking mechanism.

#### **If this occurs:**

1. Insert a long, flat object (e.g. ruler or steel strip) into the rear mechanism area.
2. Carefully rotate or slide the mechanism back to the unlocked position.







### **ENVIRONMENT PROTECTION**

Recycle unwanted materials instead of disposing of them as waste. All tools, accessories and packaging should be sorted, taken to a recycling centre and disposed of in a manner which is compatible with the environment. When the product becomes completely unserviceable and requires disposal, drain any fluids (if applicable) into approved containers and dispose of the product and fluids according to local regulations.

Imported by

---

**HARE & FORBES**  
**MACHINERYHOUSE**

**Australian Distributor**

Hare & Forbes  
Machineryhouse  
Sydney - Melbourne  
Adelaide - Brisbane - Perth

Ph: 1300 202 200  
[www.machineryhouse.com.au](http://www.machineryhouse.com.au)

**MACHINERYHOUSE**

**New Zealand Distributor**

Machineryhouse  
Auckland  
Christchurch

Ph: 0800 142 326  
[www.machineryhouse.co.nz](http://www.machineryhouse.co.nz)